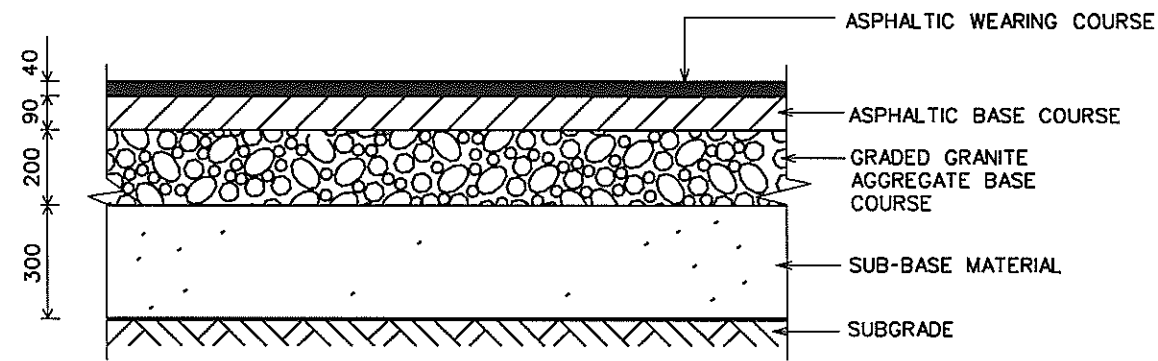
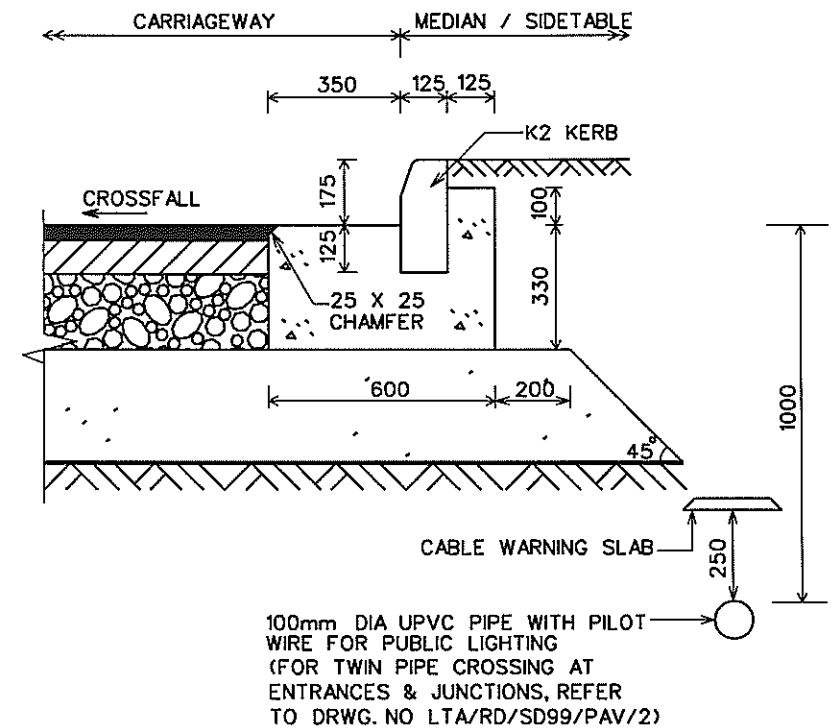


BOTTOM OF CROSSFALL



TYPE II PAVEMENT STRUCTURE



TOP OF CROSSFALL

NOTE:
1. FOR DETAILS OF CABLE WARNING SLAB.
REFER TO DRAWING NO. LTA/RD/SD99/PAV/4.

DATE OF REVISION
A. 05-05-2008

STANDARD DETAIL

FLEXIBLE PAVEMENT
(TYPE II)
FOR PRIMARY ACCESS

Land Transport Authority

DRAWING NO.
LTA/RD/SD99/PAV/3A

DATE OF ISSUE APR 2000	SCALE 1 : 20	SHEET NO. 1 OF 1
---------------------------	-----------------	---------------------