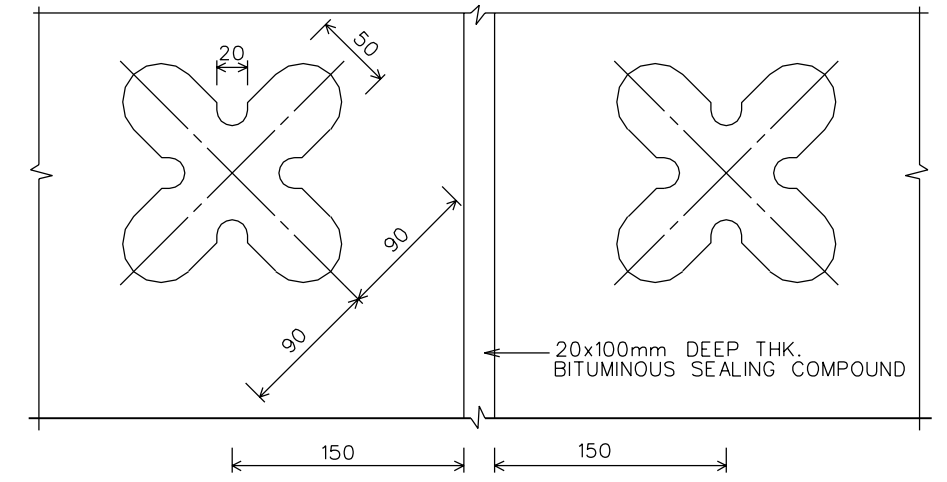
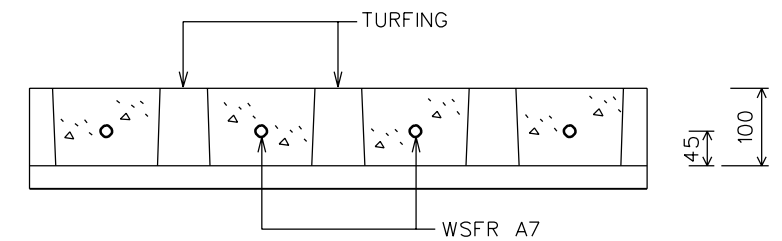


PLAN SHOWING ARRANGEMENT OF PATTERN
1:10



DETAIL AT JOINT
1:5



SECTION F-F
1:10

NOTES:-

1. CAST-IN-SITU CONCRETE (GRADE 30 MIX) CAR PARK SLAB WITH A MINIMUM AERATION AREA OF 35% SHALL BE USED.
2. MAXIMUM SIZE OF AGGREGATE TO BE USED IN THE CONCRETE MIX SHALL BE 10mm AND SHALL NORMALLY HAVE A SLUMP OF 125mm ± 18mm.
3. JOINT IS TO BE PROVIDED AT 9.6m INTERVAL.
4. HOLES TO BE FILLED UP WITH APPROVED EARTH AND TURFED.
5. ALL EXPANSION JOINTS FOR CAR PARK SLABS SHALL REFER TO THE EXPANSION JOINTS FOR RIGID PAVEMENTS .

STANDARD DETAIL

PAVEMENT FOR CAR PARK LOTS
(TYPE A)



DRAWING NO. LTA/RD/SD99/PAV/7

DATE OF ISSUE APR 2000	SCALE AS SHOWN	SHEET NO. 1 OF 1
---------------------------	-------------------	---------------------