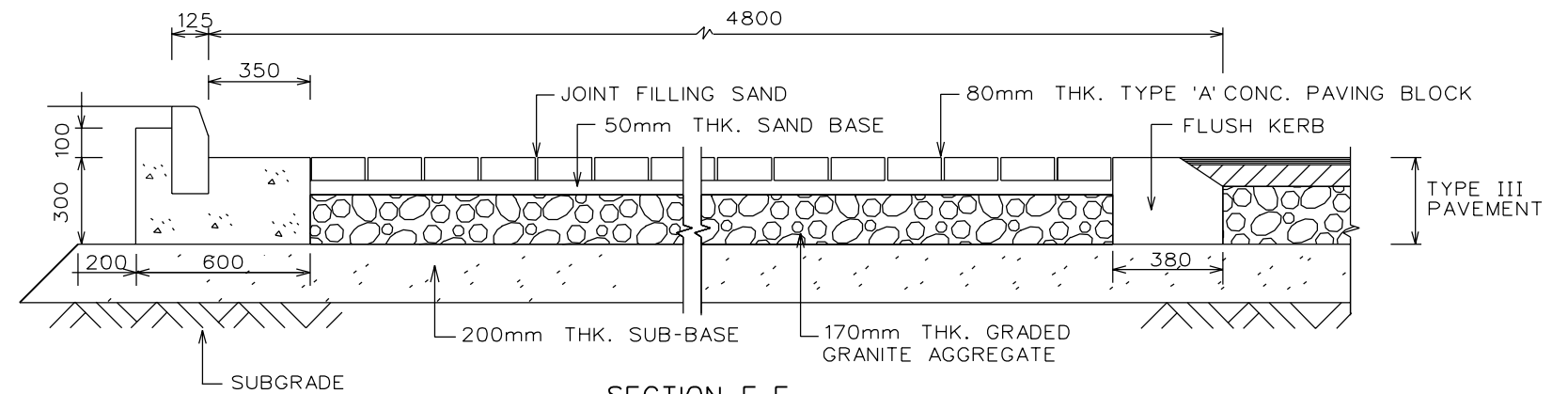


PLAN SHOWING TYPICAL ARRANGEMENT OF INTERLOCKING CONCRETE PAVING BLOCKS

NTS

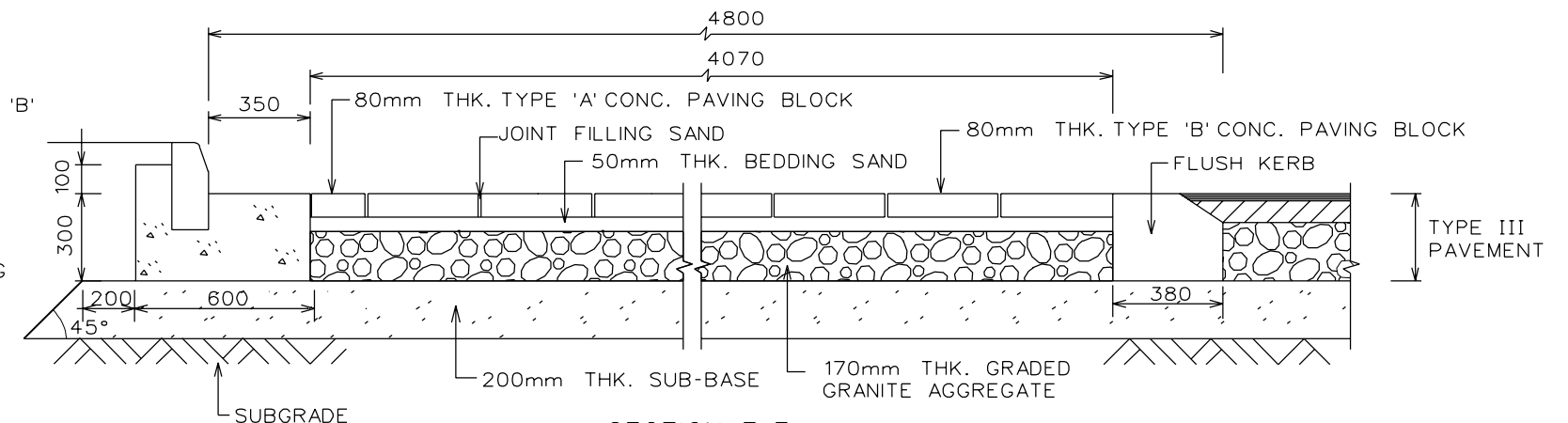
INTERLOCKING CONCRETE PAVING BLOCKS

1. MINIMUM COMPRESSIVE STRENGTH - 45N/sq mm
2. MAXIMUM WATER ABSORPTION - 5%
3. ABRASION INDEX - 1.5%
4. THE PIGMENT OF THE INTERLOCKING BLOCK MUST PERMIT THROUGHOUT THE MASS OF THE BLOCK
5. THE SPACING OF INTERLOCKING BLOCK SHALL FOLLOW THE MANUFACTURER'S RECOMMENDATIONS.



SECTION E-E

1:25



SECTION F-F

1:25

BEDDING SAND AND JOINT-FILLING SAND

1. BEDDING SAND & JOINT-FILLING SAND SHOULD BE WASHED FREE OF SOLUBLE SALTS OR OTHER CONTAMINANTS WHICH CAN CAUSE OR CONTRIBUTE TO EFFLORESCENCE.
2. THE QUALITY OF THE BEDDING SAND & THE JOINT-FILLING SAND SHALL FOLLOW THE GRADING LIMITS SHOWN IN THE TABLE BELOW :

SIEVE SIZE	BEDDING SAND	JOINT FILLING SAND
	% PASSING	% PASSING
9.52mm	100	
6.75mm	95 - 100	
2.36mm	80 - 100	100
1.18mm	50 - 85	90 - 100
600 MICRONS	25 - 60	60 - 90
300 MICRONS	10 - 30	30 - 60
150 MICRONS	5 - 15	15 - 30
75 MICRONS	0 - 10	5 - 10

NOTES:-

1. TYPE A CONCRETE PAVING BLOCKS SHALL BE 80mm THICK.
2. TYPE B CONCRETE PAVING BLOCKS SHALL BE 80mm THICK, PERFORATED FOR TURFING.
3. THE TOTAL AREA OF PERFORATION SHALL BE A MINIMUM 35% OF THE PARKING LOT AREA.
4. THE SHAPES AND SIZES OF THE PAVING BLOCKS AND THE LAYING PATTERN ARE SUBJECT TO THE S.O.'S APPROVAL.

STANDARD DETAIL

PAVEMENT FOR CAR PARK LOTS
(TYPE B)



DRAWING NO. LTA/RD/SD99/PAV/8

DATE OF ISSUE APR 2000 SCALE AS SHOWN SHEET NO. 1 OF 1